

OUTSIDE / ROOM TEMPERATURE SENSOR

FEATURES

- Wall mounted
- Small design housing
- Easy connecting
- Bottom or back cable entry
- Complete mounting set
- Splash proof
- UV resistant

APPLICATIONS

- HVAC
- Room sensing
- Outside sensing
- Building controls



GENERAL INFORMATION

The Tasseron outside / room sensor measures air temperature indoor or outdoor. The sensor has a solid construction with a white UV resistant plastic cover to minimize solar influence.

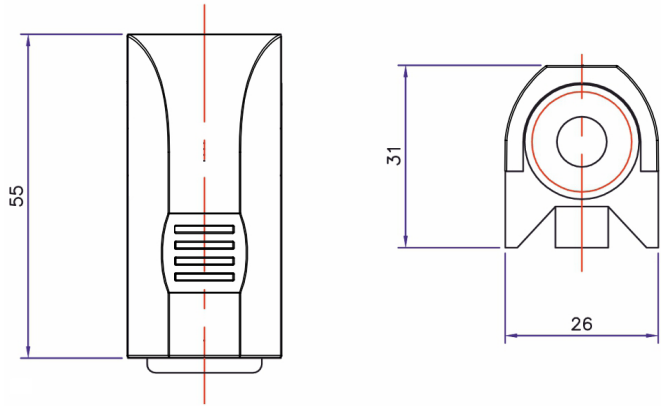
Installation costs are saved using this sensor as it is designed for quick connection and it comes in a complete set for mounting on the wall. The set comes in a little box which includes: the sensor with grommet for cable sealing, screws, wallplug and a mounting instruction.

GENERAL TECHNICAL INFORMATION

Characteristic	Parameter	Value	Unit
Operating temperature	T_{op}	-40...60	°C
Resistance tolerance NTC (@60°C)	ΔR_R	±3	%
Insulation resistance	R_{ins}	>200	MΩ
Test Voltage (t = 1s)	V_{test}	2000	V _{AC}

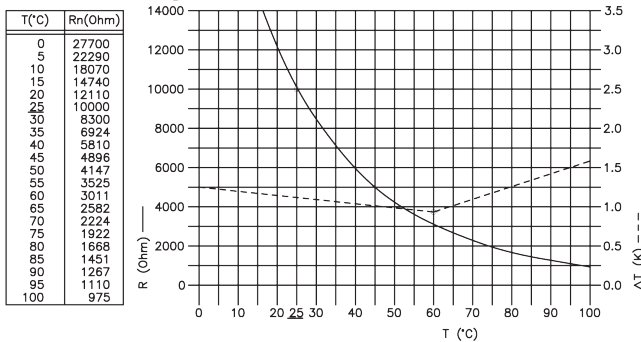
MEASUREMENTS & MATERIALS

Housing size (l x w x h) : 55 x 26 x 31 mm
 Housing material : PC White / Black
 Electrical connection : 2 way 0,3 - 1,5 mm²
 cable spring connector

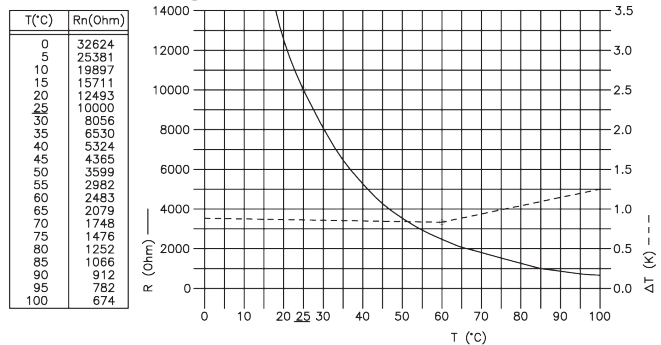


AVAILABLE SENSOR VALUES

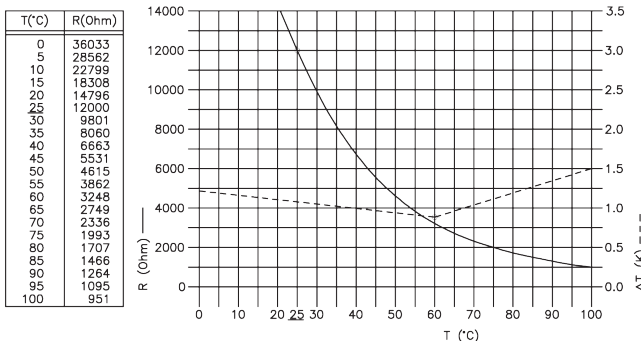
NTC 10K 3%@60°C B3435



NTC 10K 3%@60°C B3977



NTC 12K 3%@60°C B3740



ORDERING INFORMATION

Measuring element	Ordering Code
NTC 10K B3435	TSA00AA
NTC 10K B3977	TSA00A1
NTC 12K B3740	TSA00B4

Other measuring elements on request

Packing quantity and MOQ: 144 pieces

Tasseron Sensors B.V.

Ambachtshof 50
 NL-2632 BB Nootdorp
 The Netherlands
 Tel: +31 (0)15 310 40 00
 Fax : +31 (0)15 310 40 40
 Email: sensors@tasseron.nl

Tasseron Sensors Inc.

2401 Reach Road
 Williamsport, PA 17701
 United States
 Tel: +1 (570)601-1971
 Fax : +1 (570)601-1972
 Email: sales@tasseronusa.com