

SENSOR ACCOMODATING WELLS

TST-SERIES

FEATURES

- easy sensor replacement
- high pressure resistant
- corrosion resistant
- robust
- watertight
- 100% seal tested
- welded parts

OPTIONS

- EPDM O-ring
- strain relief for sensor

APPLICATIONS

- boilers
- compressors
- heat pumps
- water treatment plants
- industrial kitchen equipment

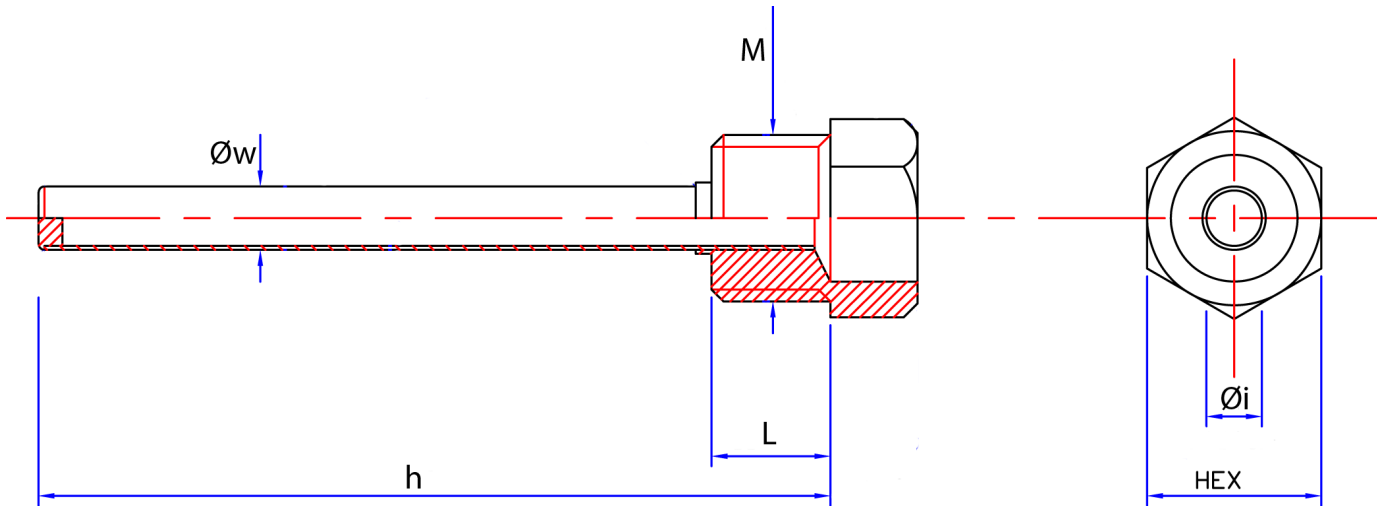


GENERAL INFORMATION

These wells (tubes) can be placed directly into the medium (water, oil, gas, air etc.) and can accommodate cable sensors, process sensors or other types. This method protects the sensor from negative influences and will also allow for easy (re)placement while keeping the seal with the medium intact.

This product series differentiates itself by a broad selection of materials, process connectors, diameters, lengths and shapes. Thanks to the right choice of materials and surface treatments, all versions offer very high resistance to temperature, pressure and corrosion. The well can be turned from a single solid blank or assembled from two separate parts welded or soldered together. In any case, a 100% sealing test is standard.

MEASUREMENTS & MATERIALS



Standard

Tube outer diameter (\varnothing_w)	: $\varnothing 7...10$ mm
Tube inner diameter (\varnothing_i)	: $\varnothing 5...8$ mm
Housing size (HEX)	: On request
Immersion depth (h)	: $0...200$ mm
Mounting ($M \times L$)	: $1/8", 1/4", 3/8", 1/2"$ NPT-BSP threads / Metric
Housing material	: Stainless Steel AISI 304/316 / Copper/ Brass (with/without nickel plating)

Options

Sealing	: (EPDM) O-ring / Gasket
Sensor mounting	: Inner NPT, BSP or Metric screwthread / screw / compression fitting
Construction	: Full one-piece latch-turned / Two-piece welded/brazed/soldered

Tasseron Sensors B.V.
Ambachtshof 50
NL-2632 BB Nootdorp
The Netherlands
Tel: +31 (0)15 310 40 00
Fax : +31 (0)15 310 40 40
Email: sensors@tasseron.nl

Tasseron Sensors Inc.
2401 Reach Road
Williamsport, PA 17701
United States
Tel: +1 (570)601-1971
Fax : +1 (570)601-1972
Email: sales@tasseronusa.com