

CLIP-ON TEMPERATURE SENSOR

TSB-Series

FEATURES

- Easy mounting
- Short response time
- High measuring accuracy
- Bracket for Ø10...28 mm pipes
- EN 60730-2-9 approved
- Small housing

OPTIONS

- Dual sensor (2 x NTC)
- Lockable bracket
- Tilting bracket
- Moulded cable

APPLICATIONS

- Boilers
- Compressors
- Heat exchangers
- Heat pumps
- Airconditioning



GENERAL INFORMATION

The Tasserion clip-on sensor is developed for indirect measurement of the medium (water) by clipping it onto a pipe. The clipping system makes a quick and certain fit which offers a cost advantage in installation and servicing. The clipping is simple and there is no chance of breaking thanks to the strong red Polyamide housing.

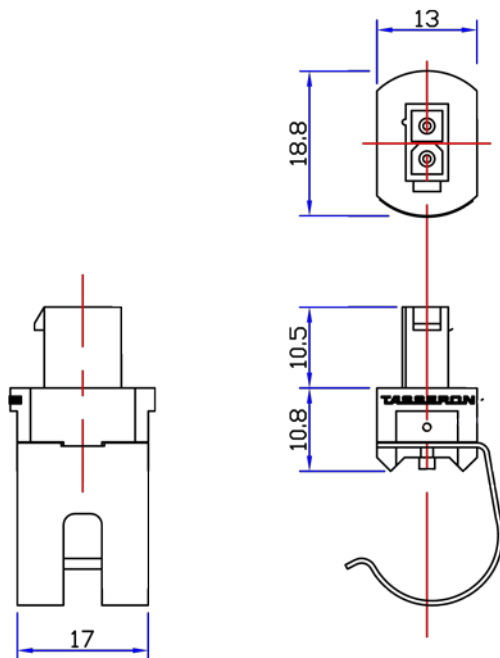
Eventhough the sensor features indirect measurement it still has a short response time and high accuracy as a result of the smart construction and the use of high quality materials.

Tasserion has this sensor EN 60730-2-9 approved, which means it can also be used as a safety device. Even more advantage can be achieved by having two NTC's in one housing. In combination with compatible electronics one NTC can be used for temperature controlling and the other for safety. One product, one assembly, two functions.

GENERAL TECHNICAL INFORMATION

Characteristic	Parameter	Value	Unit
Operating temperature	T_{op}	-40...150	°C
Resistance tolerance NTC (@ 60°C)	ΔR_R	±3	%
Resistance tolerance Pt1000 (Class B)	ΔR_R	±1,2	Ω
Temperature coefficient Pt1000	TCR	3850	ppm/K
Thermal time constant (67%)	τ_a	<5	s
Insulation resistance	R_{ins}	>200	MΩ
Test Voltage (t = 1s)	V_{test}	2000	V_{AC}

MEASUREMENTS & MATERIALS

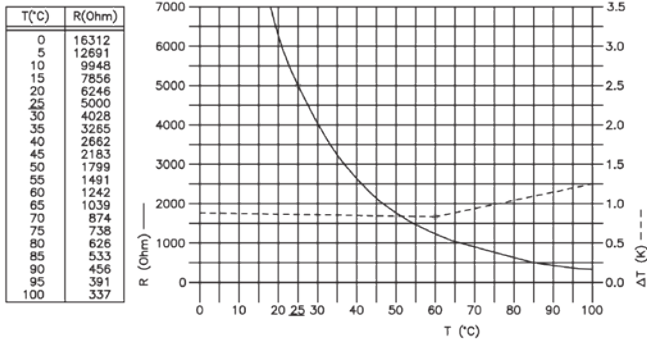


Standard

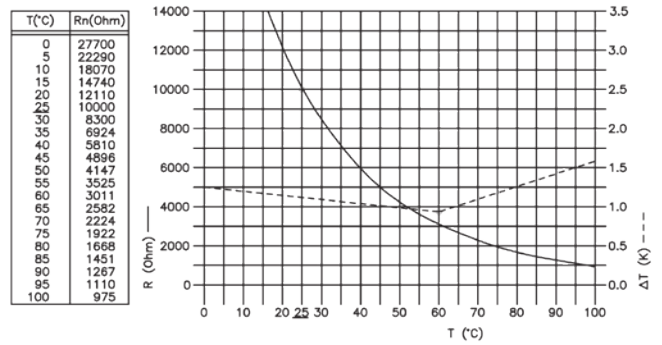
- Housing material : Red Polyamide (DIN: PA6 GF30)
- Bracket material : AISI 301 (DIN 1.4310)
- Pipe mounting brackets : Ø10 (3/8") / Ø12 / Ø15 / Ø18 / Ø22 / Ø28 mm
- Electrical connection : Molex Mini-Fit Jr.™ 5566-02A
 - Faston tabs 2,8 x 0,8 mm
 - Faston tabs 2,8 x 0,5 mm
 - Moulded Cable

AVAILABLE SENSOR VALUES

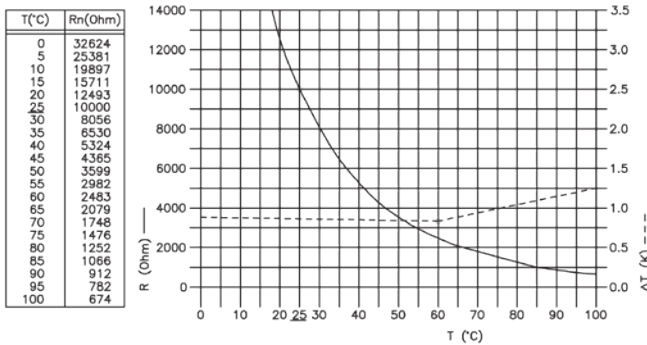
NTC 5K 3%@60°C B3977



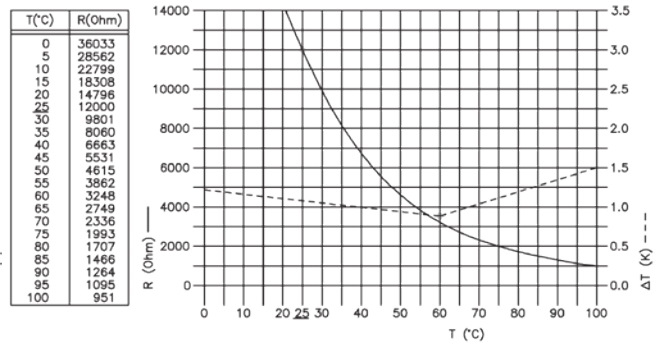
NTC 10K 3%@60°C B3435



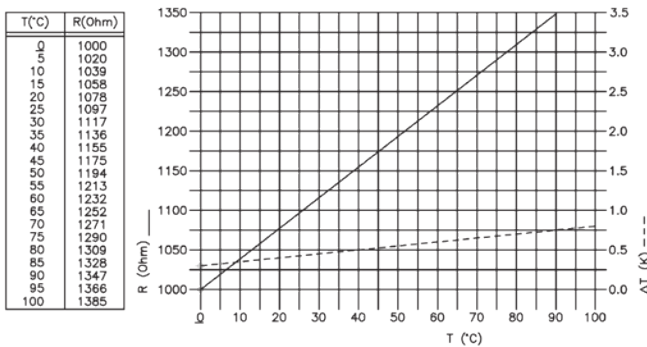
NTC 10K 3%@60°C B3977



NTC 12K 3%@60°C B3740



Pt1000 (IEC751, class B)



ORDERING INFORMATION

Example : TSB 0A I 3

Clip-on sensor
NTC 10K 3% B3977
18 mm bracket
Faston Tabs 2,8 x 0,5 mm

TSB



Measuring element
05 = NTC 5K 3% B3977
0A = NTC 10K 3% B3977
0D = NTC 10K 3% B3435
0B = NTC 12K 3% B3740
45 = Pt1000 (IEC751, class B)

Bracket size
A = 10 mm (3/8")
C = 12 mm
F = 15 mm
I = 18 mm
M = 22 mm
S = 28 mm

Connection
0 = Molex Minifit 5566-02R(C)
1 = Faston Tabs 2,8 x 0,8 mm
3 = Faston Tabs 2,8 x 0,5 mm
8 = Cable

Other measuring elements and connectors on request.

Packing quantity and MOQ: 250 pieces

Tasseron Sensors B.V.
Ambachtshof 50
NL-2632 BB Nootdorp
The Netherlands
Tel: +31 (0)15 310 40 00
Fax : +31 (0)15 310 40 40
Email: sensors@tasseron.nl

Tasseron Sensors Inc.
2401 Reach Road
Williamsport, PA 17701
United States
Tel: +1 (570) 601-1971
Fax : +1 (570) 601-1972
Email: sales@tasseronusa.com